

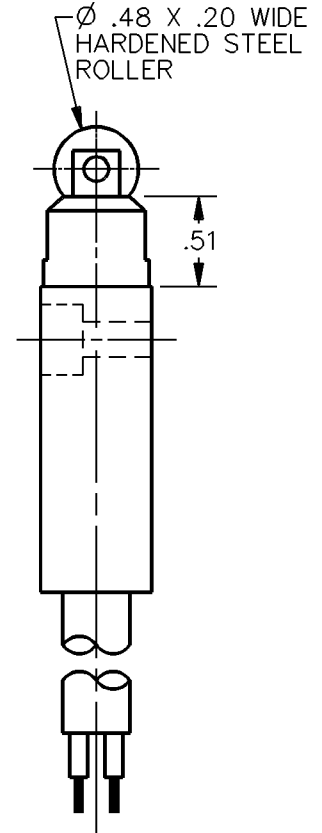
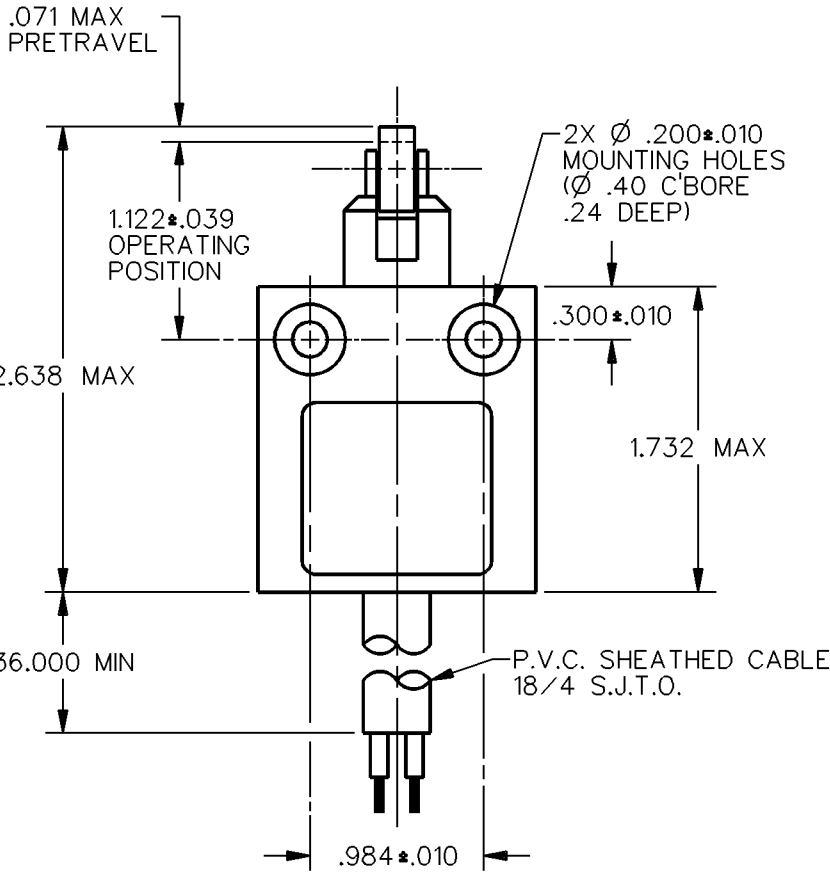
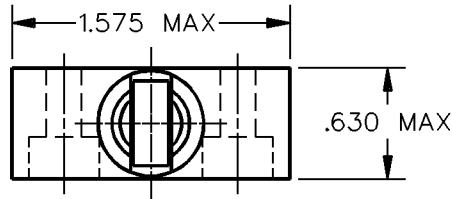
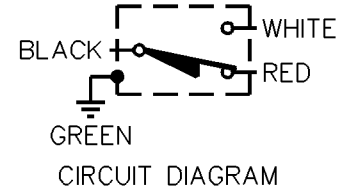
**MICRO SWITCH**  
a Honeywell Division

FED. MFG. CODE 91929

MINIATURE PRECISION  
LIMIT SWITCH

CATALOG LISTING

914CE3-3

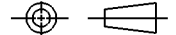




NOTES  
1 - ZINC HOUSING FINISHED WITH GRAY PAINT

ANSI Y14.5M-1982 APPLIES

THIS DRAWING COVERS A PROPRIETARY ITEM AND IS THE PROPERTY OF MICRO SWITCH, A DIVISION OF HONEYWELL. THIS DRAWING IS NOT TO BE COPIED OR USED WITHOUT THE APPROVAL OF MICRO SWITCH.

THIRD ANGLE PROJECTION



| CHARACTERISTICS                    | ELECTRICAL DATA  | SCALE FULL                                       | DO NOT SCALE PRINT |
|------------------------------------|--|--|--------------------|
| OPERATING FORCE — — — 2.7 LB MAX   | CONTACT ARRANGEMENT<br>S P D T   | <b>UNLESS OTHERWISE SPECIFIED TOLERANCES ARE</b> |                    |
| RELEASE FORCE — — — 1.0 LB MIN     | 5A - 250 VAC<br>1/10HP - 125 OR 250 VAC  | ONE PLACE (.0)                                   | ± .030             |
| DIFFERENTIAL TRAVEL — — — .004 MAX |  | TWO PLACE (.00)                                  | ± .015             |
| OVERTRAVEL — — — .118 MIN          |   | THREE PLACE (.000)                               | ± .005             |
|                                    |  | ANGLES   | ±                  |
|                                    |  | WEIGHT   |                    |

914CE3-3  
 M  
 DRAWING NUMBER  
 6  
 ISSUE  
 REVISIONS  
 A CO-69061  
 S A V  
 3 OCT 91  
 CHECK  
 CHECK  
 DDM/CAD  
 DRAWN  
 S A V 3 OCT 91  
 CHECK  
 REPLACES  
 RELEASE NO. PR-1780